


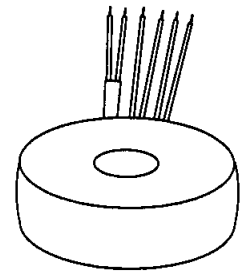


<b>Typ</b> Type <b>Kernform</b> Core type <b>Bemessungsspannung, Eingang</b> Designated input voltage <b>Bemessungsstrom, Eingang</b> Designated input current <b>Eingebaute Absicherung, Eingang</b> Integrated input fuse <b>Bemessungsspannung, Ausgang</b> Designated output voltage <b>Bemessungsstrom, Ausgang</b> Designated output current <b>Vorzusehende Absicherung, Ausgang</b> Recommended output fuse <b>Einschaltdauer</b> Duty cycle <b>Bemessungsleistung (bei Leistungsfaktor 1)</b> Designated output power (power factor 1) <b>Verlustleistung</b> Power loss <b>Schaltgruppe</b> Connection mode <b>Betriebsfrequenz</b> Designated frequency <b>Schutzklasse</b> Safety class <b>Schutzart</b> Protection index <b>Kühlungsart</b> Type of cooling <b>Isolierstoffklasse</b> Insulation class <b>Max. Umgebungstemperatur</b> Ambient temperature <b>Vorschriften</b> Standards <b>Prüfzeichen</b> Approvals <b>Prüfspannung</b> HV-Test voltage  <b>Anschluß ( Eingang )</b> Terminal ( Input ) <b>Anschluß ( Ausgang )</b> Terminal ( Output )  <b>Bemerkungen</b> Notes	: 1~ Trenntransformator 1~ Isolating transformer  : Ringbandkern Torriodal  : 230V  : 2,27Aac  :  115°C  : 2x 24V  : 10,41Aac  :  10AgG  : 100%  : 500VA  : ca. 28,3W (η ~ 94,6%) approx.  : III0  : 50-60Hz  : vorbereitet für Geräte der Schutzklasse II prepared for class II equipment  : IP00  : AN  : B (UL class 105)  : 40°C  : EN 61558 Teil 1 mit Teil 2-4 EN 61558 part 1 with part 2-4  :  UL 5085, CSA 22.2 (E 103521)  : Primär-Sekundär 4,8 kV Primary-Secondary Sekundär-Sekundär 0,3 kV Secondary-Secondary  : 20-21cm UL/CSA-Litze Style 1015 AWG 18 20-21cm UL/CSA- AWM style 1015 AWG 18 : 20-21cm Drahtenden mit Gewebeschauch 20-21cm wire insulated with glass reinforced sleeving  : Die angegebenen technischen Daten sind typisch. Material-und fertigungsbedingt können Abweichungen auftreten. Technical specifications are typical, they can vary due to material and production tolerances.
-----------------------------------------------------------------------------------------------------------------------------------------------------------------------------------------------------------------------------------------------------------------------------------------------------------------------------------------------------------------------------------------------------------------------------------------------------------------------------------------------------------------------------------------------------------------------------------------------------------------------------------------------------------------------------------------------------------------------------------------------------------------------------------------------------------------------------------------------------------------------------------------------------------------------------------------------------------------------------------------------------------------------------------------------------------------------------------------------------------------------------------------------------------------------------------------------------------------------------------------------------	--------------------------------------------------------------------------------------------------------------------------------------------------------------------------------------------------------------------------------------------------------------------------------------------------------------------------------------------------------------------------------------------------------------------------------------------------------------------------------------------------------------------------------------------------------------------------------------------------------------------------------------------------------------------------------------------------------------------------------------------------------------------------------------------------------------------------------------------------------------------------------------------------------------------------------------------------------------------------------------------------------------------------------------------------------------------------------------------------------------------------------------------------------------------------------------------------------------------------------------------------------------------------------------------------------------------------------------------------------------

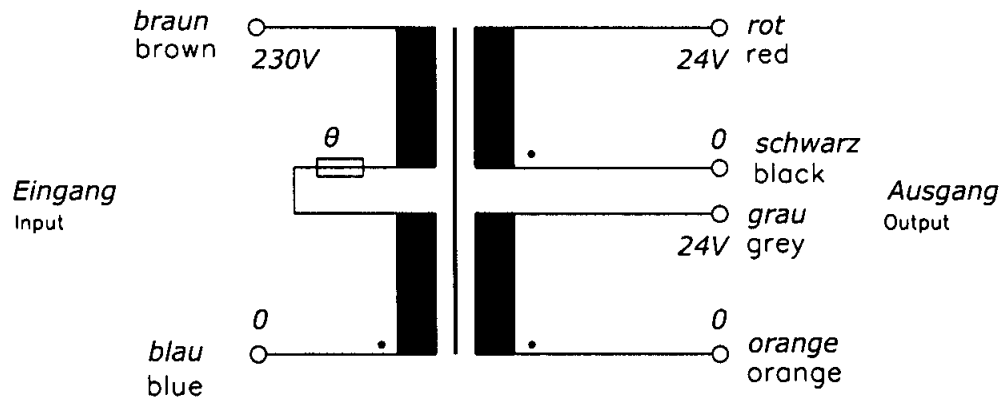


Baureihe: **RTE**  
Type:  
Art.-Nr.: **RTE 500/2x24**  
Art.-No.:

**Datenblatt**  
Technical  
Specifications

**BLOCK**  
Transformatoren-Elektronik  
GmbH  
D - 27283 Verden/Aller

**Anschlußkennzeichnung:**  
Terminal Identification

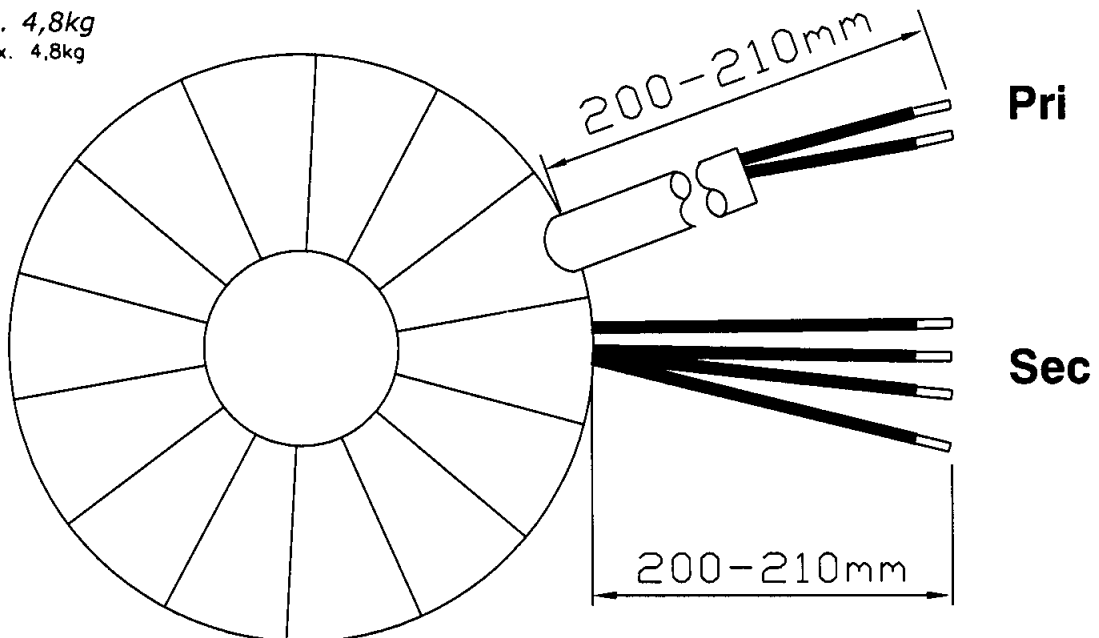


**Abmessungen:**  
Dimensions

**Außen-Ø ca. 140mm im Bereich der Ausführungen ca. 143mm**  
Outer-Ø approx. 140mm over leadouts approx. 143mm

**Höhe max. 68mm zzgl. 5mm Montageset**  
Height max. 68mm plus 5mm mounting kit

**Gewicht: ca. 4,8kg**  
Weight: approx. 4,8kg



**Befestigung mit (beiliegend):**  
Mounting with (enclosed)

**1x Befestigungscheibe**  
1x Mounting plate

**2x Gummischeibe**  
2x Rubber disc

**1x Schraube M8 + Scheibe + Mutter**  
1x Screw M8 + washer + nut

Seite 2/2  
Page 2/2