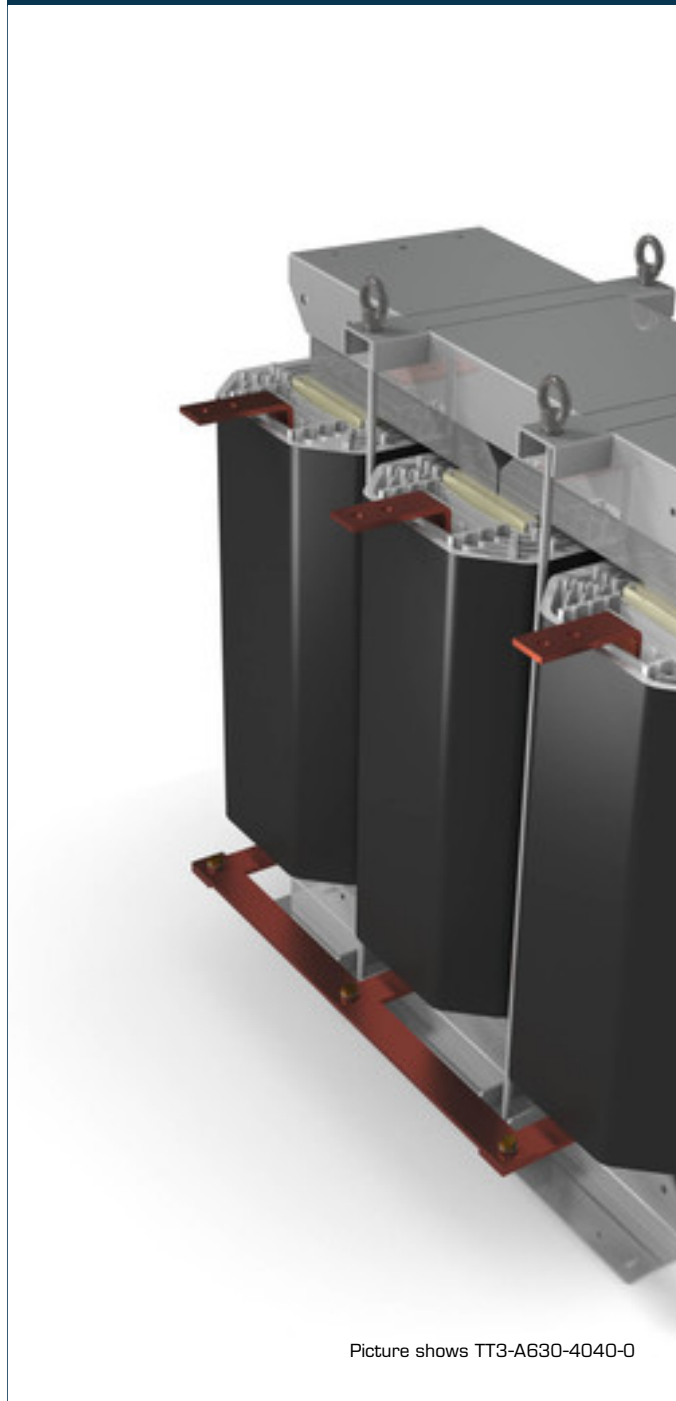


Isolating transformer TT3-A010-4040-0



Picture shows TT3-A630-4040-0

Advantages

Safe galvanic isolation

Very good corrosion protection and low noise thanks to BLOCK IMPEX vacuum impregnation

Very good discharging of thermal losses by means of optimally arranged cooling channels within the coils

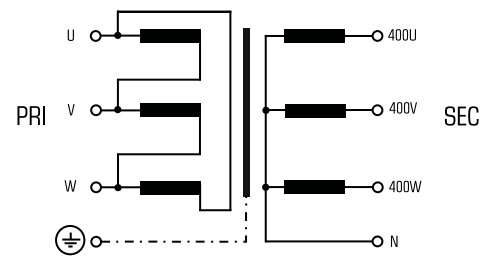
Integrated crane eyes

If desired, the transformers can be realised in individual voltages

Applications

Isolating transformer for the safe electrical isolation of the input and output sides. The transformer may be used to set up protective separation as a protective measure in accordance with VDE 0100.

Sample application



Standards

Isolating transformer
to: VDE 0570 part 2-4, DIN EN 61558 part 1 with part 2-4

Approvals



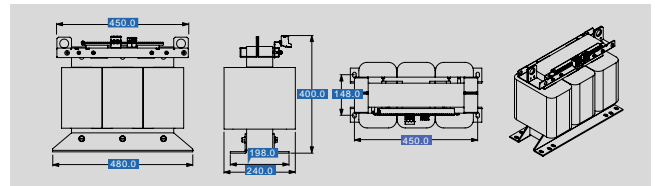
UL 5085, CSA 22.2 (E 103521)



Isolating transformer TT3-A010-4040-0

Type		TT3-A010-4040-0
Electrical data	Input	
	Rated input voltage	3 x 400 Vac
	Rated frequency	50 - 60 Hz
	Output	
	Rated output voltage	3 x 400 Vac
	Rated Power	10,000 VA
	Output rated current	3 x 14,4 A
	Short circuit voltage	5,2 %
	Vector group	Dyn 5
	Environment	
Ambient temperature max.	40 °C	
Safety and protection		
Insulation class	F	
Protection index	IP 00	
Type	Open type	
Safety class (prepared)	I	
Short circuit strength	non-short-circuit proof	
Order numbers		
Recommended enclosure	BGE-065	
Order Number	TT3-A010-4040-0	

Type		TT3-A010-4040-0
Mechanical data	Terminal and mounting	
	Terminals	Screw-type terminal input 10 mm ² , output 4 mm ²
	Fixing method	Fixing rail
	Terminals Input	Screw clamp, 10 mm ²
	Terminals Output	Screw clamp, 4 mm ²
	Terminals PE	Screw-type terminal, 4 mm ²
	Measures and weights	
	Core type	3UI 210/88
	Weight	74.00 kg



Subject to change.