

Control- and isolating transformer TT1 25-4-23



Picture shows TT1 20-4/23

Advantages

Safe galvanic isolation
Patented assembly technology
Very good corrosion protection and low noise thanks to BLOCK IMPEX vacuum impregnation
Primary side $\pm 5\%$ % tapplings for voltage adjustment
Fixed, contact protected screw connection terminals complying with UVV BGV A3
Multifunctional fixing rail with 8 oval slots
Space saving, thanks to horizontal design
Integrated crane eyes
Non-slip terminals

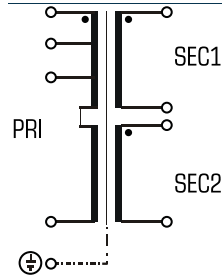
Applications

Isolating transformer for the safe electrical isolation of the input and output sides. The transformer may be used to set up protective separation as a protective measure in accordance with VDE 0100.

As a control transformer for the electrical isolation of the input and output sides. The construction of the transformer is designed to supply control systems according to EN 60204.

As a safety isolating transformer for the safe electrical isolation of the input and output sides. The transformer is suitable for creating SELV and PELV circuits because of the limit on the output voltage.

Sample application



Standards

Control transformer
to: VDE 0570 Teil 2-2, DIN EN 61558-2-2, EN 61558-2-2, IEC 61558-2-2,
UL 1561, CSA 22.2 No.66
Isolating transformer
to: VDE 0570 Teil 2-4, DIN EN 61558-2-4, EN 61558-2-4, IEC 61558-2-4,
UL 1561, CSA 22.2 No.66

Approvals



UL 1561, CSA 22.2 (E 327358)



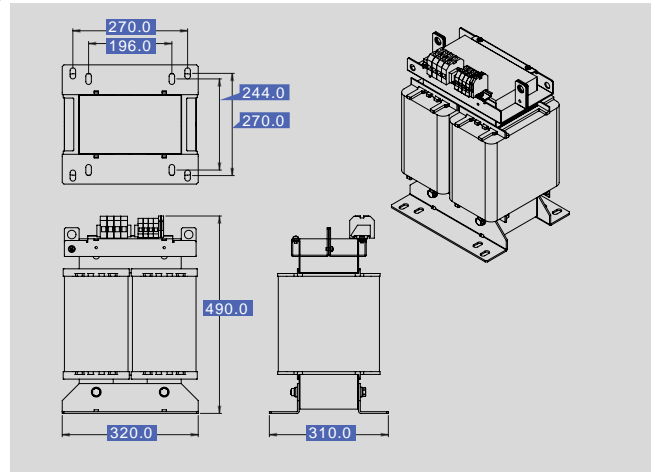
Control- and isolating transformer

TT1 25-4-23

Type		TT1 25-4-23
Electrical data	Input	
	Rated input current	65.7 A/63.2 A/60.9 Aac
	Rated input voltage	380/400/420 Vac
	Rated frequency	50 - 60 Hz
	Output	
	Rated output current	109 Aac
	Rated output voltage	2 x 115 Vac
	Rated power VDE (DB cos phi=1)	25,000 VA
	Rated power VDE (KB cos phi=0.5)	133,000 VA
	Short circuit voltage uK	ca. 0.9%
	Vector group	iii0
	Efficiency	
	Standards	
	Classification	Control- and isolating transformer
	Approvals	
	Approvals	cURus
	Environment	
	Ambient temperature max.	40 °C
	Type of cooling	AN
Safety and protection		
Insulation class	VDE=F, UL=class 155	
Protection index	IP 00 IPXXB on request	
Safety class (prepared)	I	
Type	Open type	
Short circuit strength	non-short-circuit proof	
Order numbers		
Order Number	TT1 25-4-23	

Type		TT1 25-4-23
Terminal and mounting	Fixing method	Fixing rail
	Fixing screws	M12
	Terminals Input	Screw clamp, 35 mm ²
Terminals Output	Terminals Output	Screw clamp, 50 mm ²
	Terminals PE	Screw-type terminal, 35 mm ²
Measures and weights		
Core type		UI 240/170
Weight		153.0 kg

30 Mechanical data



Subject to change.