

# Electronic circuit breaker with current limiting

## PM-0824-240-2



Picture shows PC-0724-800-0/PM-0724-400-0

## Advantages

Adjustable tripping current for each output channel via current selector switch
Selective immediate switch off of defective circuits in the event of critical supply voltage
Sequential and load-dependent switching-on of channels
Comprehensive single-channel-diagnostics and remote switching on/off of each output channel via 2-wire-interface
Further diagnoses of input voltage and the current of each circuit
Group alarm contact
3 years warranty

## Applications

The BASIC SMART circuit breakers guarantee maximum system availability. In the event of overload, only the faulty current paths are reliably switched off without affecting the remaining circuits thanks to active current limiting to 1.7 times the rated current. The electronic circuit breaker distributes and monitors the load current over several current circuits. Overloads and short circuits on an output are reliably recognized. The electronics permit brief current peaks and switch longer overloads off. The rated current for each output can be individually set with a current selector switch accessible from the front. The outputs are activated depending on the time delay and load to avoid an overload current. If the rated current is exceeded for a certain amount of time, the output will be switched off automatically and can be reactivated after a waiting time (thermal relaxation) using the pushbutton or the remote signal input S1. The pushbutton can also be used to switch the output manually. It is possible to read out the state of each output using the three signal contacts. The state of each output is also indicated with a multi-colored LED.

## Standards

Safety:  
EN 60950-1, EN 50178,  
EN/IEC 60204-1

EMC:  
EN 61000-6-2, EN 61000-6-3

Safety extra-low voltage (SELV/PELV):  
IEC 60364-4-41 (DIN VDE 0100-410)

CE acc. to 2004/108/EG (EMC-Directive)

## Approvals



UL 2367, UL 508, DNV GL, EAC

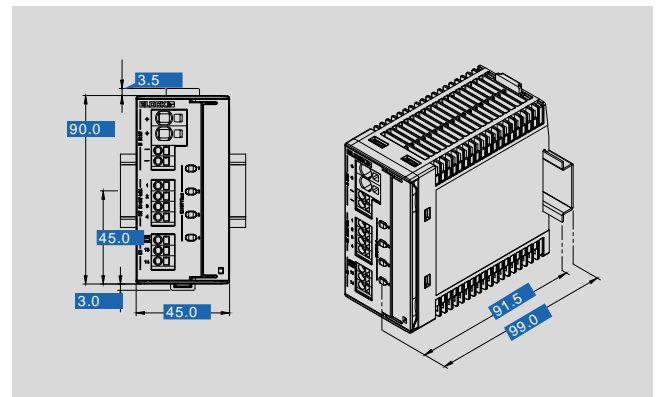


# Electronic circuit breaker with current limiting

## PM-0824-240-2

Type	PM-0824-240-2
<b>Electrical data</b>	
<b>Input</b>	
Input rated voltage	24 Vdc
Input voltage range	18 - 30 Vdc
Maximal residual ripple of supplied input voltage	3 %
Required input voltage for turning-on of outputs	19.5 V (Turn-off Threshold 18 V)
Max. total input current	24 A
Max. input current for each pole of terminal	40 A
Over voltage protection	Suppressor diode 33 V
Stand-by current	22.7 mA @ 24 V
Power losses in stand-by mode	0.55 W @ 24 V
<b>Output</b>	
Output rated voltage	24 Vdc
Output rated current	2 x 2 - 12 A
Maximum voltage drop between input and output	210 mV @ 2 x 12 A
Initialization time of module	250 ms
Turn-on delay of outputs	Load dependent, min. 50 ms / max. 5 s
Waiting periode after switch-off of an output	500 ms (short circuit) . . . 10 s (overload)
Efficiency	99.0 %
Max. power losses	5.58 W @ 2 x 12 A
Internal output fuse	15 A
Resistance to reverse feed max.	35 Vdc
Parallel use of outputs	Not allowed
Serial use of outputs	Not allowed
<b>Signaling</b>	
Status indicator	LED (red, green, orange)
Signal input S1	24 Vdc (On/Off/Reset)
Signal output S2	24 Vdc, max. 25mA (status output channels)
Signal output S3	24 Vdc, max 25mA (Common signalling output)
<b>Approvals</b>	
Approvals	cURus, cULus, DNV GL, EAC
<b>Environment</b>	
Storage temperature	-25 °C to +85 °C
Ambient temperature	-25° C to +70° C
Type of cooling	Natural convection
Required minimum spacing (left/right)	0 mm
Required minimum spacing (over/under)	40 mm
<b>Safety and protection</b>	
Protection index	IP 20
Safety class	III, without PE connection
Degree of pollution	2
<b>Order numbers</b>	
<b>Order Number</b>	<b>PM-0824-240-2</b>

Type	PM-0824-240-2
<b>Mechanical data</b>	
<b>Terminal and mounting</b>	
Mounting position	horizontal for standard rail DIN TS35
Input terminals (2 x "-"), 1 direct plug-in technology Push-in	max. 2,5 mm <sup>2</sup>
Input terminals (2 x "+"), 1 direct plug-in technology Push-in	max. 6 mm <sup>2</sup>
Terminals signalling (direct plug-in technology Push-in)	max. 2,5 mm <sup>2</sup>
Output terminals ("+"), direct plug-in technology Push-in	max. 2,5 mm <sup>2</sup>
<b>Measures and weights</b>	
Weight	0.2 kg



Subject to change.