

Magnetic voltage stabilizer **KH 250 - no longer available**



Picture shows KH 250

Advantages

Compensation for mains voltage fluctuations
Attenuation of asymmetric interference voltage peaks
Bridging voltage dips
Galvanic isolation from the mains
Short-circuit proof
No-load proof
RF interference-free
Service-free

Applications

Magnetic voltage stabiliser securing the supply voltage in the event of mains overvoltage, mains undervoltage, voltage dips and voltage surges and in the case of brief voltage interruptions.

Standards

Magnetic voltage stabiliser acting as mains transformer in accordance with VDE 0570 part 2-12, EN 61558-2-12; IEC 61558-2-12

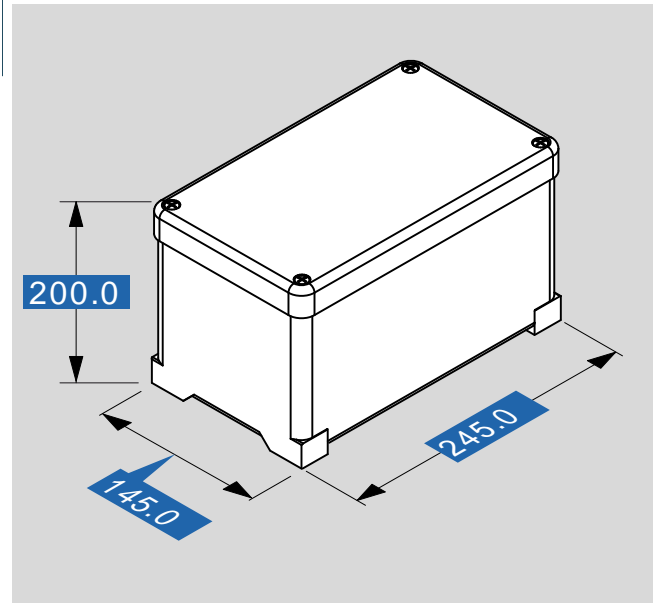
Approvals



Magnetic voltage stabilizer KH 250 - no longer available

Type		KH 250 - no longer available
Electrical data	Operating data	
	Rated input voltage	230 Vac
	Permissible tolerance (Input voltage)	+10 % to -20 %
	Rated output voltage	230 Vac
	Rated current	1.1 A
	Rated frequency	50 Hz
	Permissible tolerance (Frequency)	±1 Hz
	Response time	typ. 3 line periods (60 ms)
	Output	
	Rated Power	250 VA
	Environment	
	Ambient temperature max.	40 °C
	Safety and protection	
	Type	Resin encapsulated transformer
	Insulation class	A
Protection index	IP 40	
Safety class (prepared)	II	
Short circuit strength	short-circuit proof	
Test voltage	3750 Vac, 50 Hz	
Order numbers		
Order Number	KH 250 - no longer available	

Type		KH 250 - no longer available
Mechanical data	Terminal and mounting	
	Terminals Input	Mains lead, 2 m long with moulded plug
	Terminals Output	Socket
	Measures and weights	
	Weight	11.70 kg
	Dimension (W x H x D)	145 x 200 x 245 mm



Subject to change.