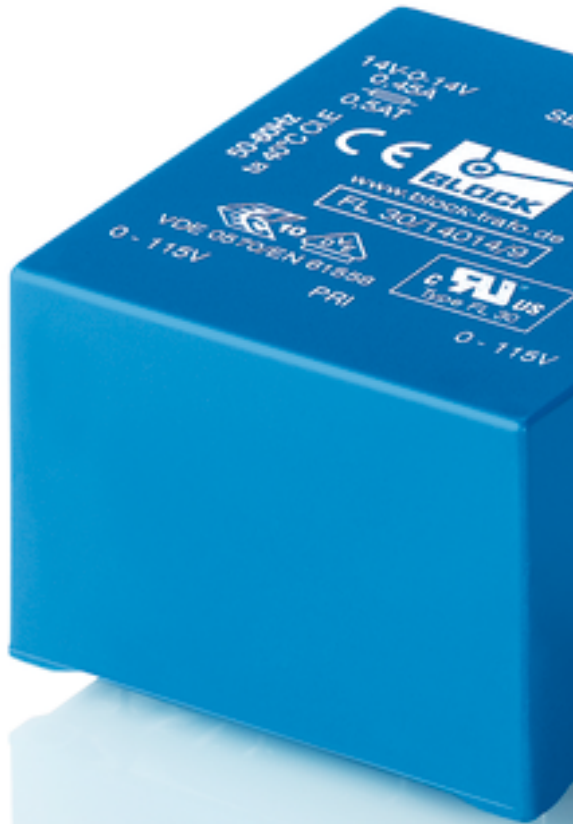


Safety isolating transformer
FL 18/14014/9 Discontinued line - not for new designs



Picture shows FL 30/14014/9

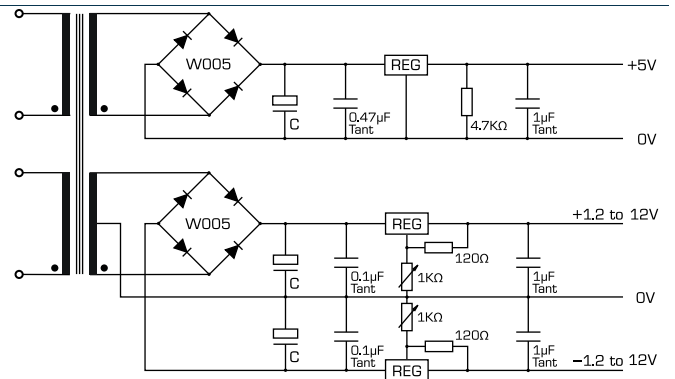
Advantages

Minimum size at high output
Low height
Double input voltage for series or parallel connection
Permanent corrosion protection, high insulation value and maximum electrical reliability thanks to XtraDenseFill resin encapsulation
Coil shell in 2-chamber technology
Self-extinguishing potting material

Applications

Safety isolating transformer specially trimmed for building a DC supply.

Sample application



Standards

Safety isolating transformer
 to: VDE 0570 Part 2-6, DIN EN 61558-2-6, EN 61558-2-6, IEC 61558-2-6,
 UL 5085-1/-2, CSA 22.2 No.66

Approvals



ENEC 10 (VDE), UL 5085-1/-2, CSA 22.2 No.66



Safety isolating transformer

FL 18/14014/9 Discontinued line - not for new designs

Type	FL 18/14014/9 Discontinued line - not for new designs
Electrical data	
Input	
Rated input voltage	2 x 115 Vac
Rated frequency	50 - 60 Hz
Output	
Efficiency	74.0 %
No-load loss (typ.)	1.40 W
No-load voltage (app. x factor)	1.26
Rated output current I	0.75 A
Rated output current II	0.23 A
Rated Output voltage I	9 Vac
Rated Output voltage II	14.0-0-14.0 Vac
Rated Power	13.19 VA
Regulator Reference SEC I	7805
Regulator Reference SEC II	317L,337LZ
Smoothing Cap. C SEC I	2000 µF
Smoothing Cap. C SEC II	2 x 220 µF
Standards	
Classification	Safety isolating transformer
Approvals	
Approvals	cURus, ENEC 10 (VDE)
Environment	
Ambient temperature max.	40 °C
Safety and protection	
Type	Encapsulated
Insulation class	VDE=E, UL=class 105
Protection index	IP 00
Safety class (prepared)	II
Short circuit strength	non-short-circuit proof
Order numbers	
Order Number	FL 18/14014/9 Discontinued line - not for new designs

Type	FL 18/14014/9 Discontinued line - not for new designs
Mechanical data	
Terminal and mounting	
Terminals	Pins for PCB
Measures and weights	
Weight	0.38 kg

Subject to change.