

Boureihe: **AT3**
 Type:
 Art.-Nr.: **AT3 70-48/50-4**
 Art.-No.:

Datenblatt

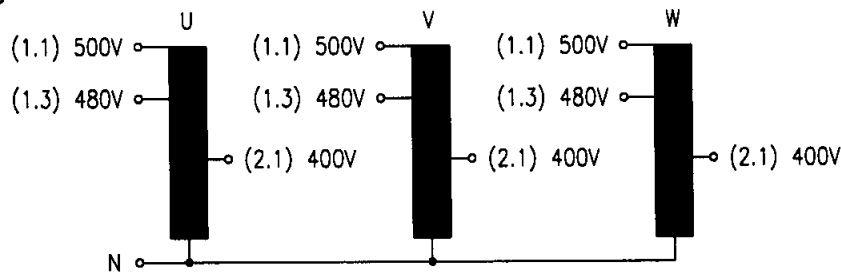
Technical Specifications

BLOCK
 Transformatoren-Elektronik
 GmbH
 D - 27283 Verden/Aller

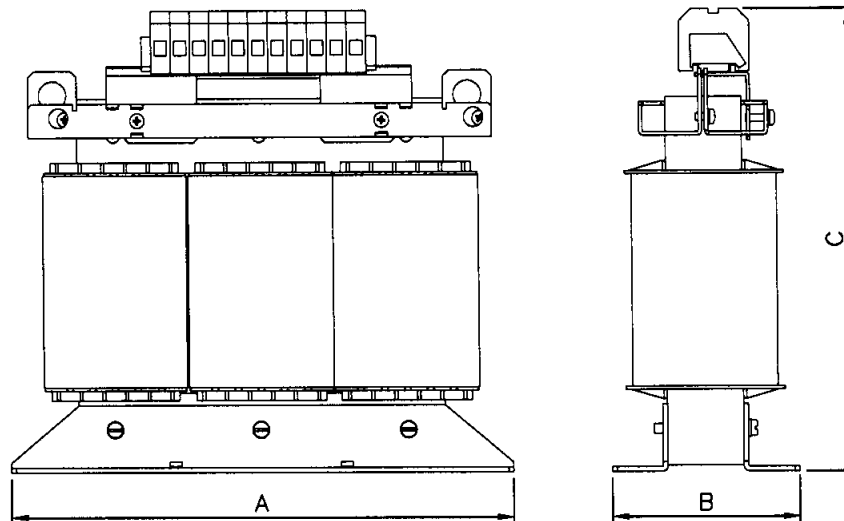
Kennzeichnung:
 Marking

	AT3 70-48/50-4	www.block.eu	70000VA
	3- autotransformer	C connection mode YNa0	Core rating 14000VA
	60-60Hz	ta.40°C	CL.F UL class 155
Input:	1.3 = 3x 480V - 84,9Aac		
or	1.1 = 3x 500V - 81,5Aac		
Output:	2.1 = 3x 400V - 101Aac		
Weight:	typ. 115kg (Fe= 75kg; Cu= 29,1kg)		
Losses (max.+20%):	Fe= 240W; Cu= 300W		
EN 61558; UL 1561; CSA 22.2		FA-Nr.:	

Anschlusskennzeichnung:
 Terminal Identification



Abmessungen:
 Dimensions



Alle Maße in mm:

Dimensions in

A= 552

B= 240

C= 485

D= 356

d1= 430

d2= 516

E= 157

e1= 183

e2= 155

Befest.loch: Ø14,5x24,0

Mounting hole

Gewicht: typ. 115kg (Fe= 75kg, Cu= 29,1kg)

Weight: typical

