

Redundancy module **PC-0624-400-0**



Picture shows PC-0624-400-0

Advantages

High efficiency
Error message via relay contact and LEDs
Safe parallel operation to increase power
Fully compatible with Top and Power Boost for your power supplies
Active operation for minimal power loss even in the event of a short-circuit on the secondary side
Based on Mosfet technology
3 years warranty

Applications

Redundancy module for decoupling from two power supplies on installation of a fail-safe power supply system. For machines and systems which place high requirements on operational safety.

Standards

Redundancy module
to UL 60950, UL 508

Safety:
EN 60950 (SELV), EN 60204 (PELV)

EMC:
EN 61000-6-3 (Interference emissions), EN 61000-6-2 (Interference immunity)

Approvals



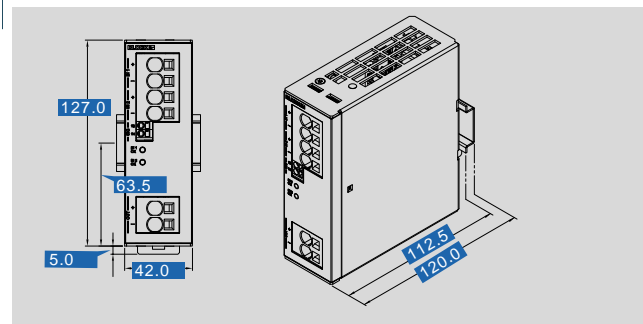
Redundancy module PC-0624-400-0

Electrical data

Type	PC-0624-400-0
Input	
Input rated voltage	24 Vdc
Input voltage range	10 - 36 Vdc
Input rated current	2 x 20 A / 1 x 40 A
Output	
Output rated voltage	24 Vdc
Output voltage range	10 - 36 Vdc
Voltage drop	max. 100 mV
Resistance to reverse feed max.	37 Vdc
Output rated current	40.00 A
Internal fuse	No
Power Boost	200 A, 50 ms / 120 A, 4 s / 100 A, 8 s
Parallel connection	Yes
max. Power loss idling/nominal load	1,5 W / 9,5 W
Efficiency	99,5 %
Signaling	
Power Good (DC OK)	Green LED per input
Potential-free signal contact	N/O contact
Approvals	
Approvals	UL 60950/ UL508 (prepared), GL (prepared)
Environment	
Ambient temperature	-40 °C to +70 °C
Storage temperature	-40 °C to +85 °C
Derating	-
Climatic category	3k3
Required minimum spacing (left/right)	0 mm
Type of cooling	convection
Required minimum spacing (over/under)	50 mm
Degree of pollution	2
Relative humidity	5 - 96 %
MTBF @ 50 °C/500 V (Mil-HB-217F)	>500.000h
Safety and protection	
Protection index	IP 20
Safety class (prepared)	III, without PE connection
Reverse connection protection	Yes
Order numbers	
Order Number	PC-0624-400-0

Mechanical data

Type	PC-0624-400-0
Terminal and mounting	
Terminals input (direct plug-in technology Push-in)	max. 16 mm ²
Terminals output (direct plug-in technology Push-in)	max. 16 mm ²
Terminals signaling	max. 2,5 mm ²
Fixing method	DIN Rail system TS35
Mounting position	vertical
Measures and weights	
Weight	0.37 kg



Subject to change.