

2-pole physical isolation EB-PT2-0



Picture shows EB-PT2-0

Advantages

Two-pole physical isolation with galvanic isolation, to be added to the right side of circuit breaker channels with single alarm signal.

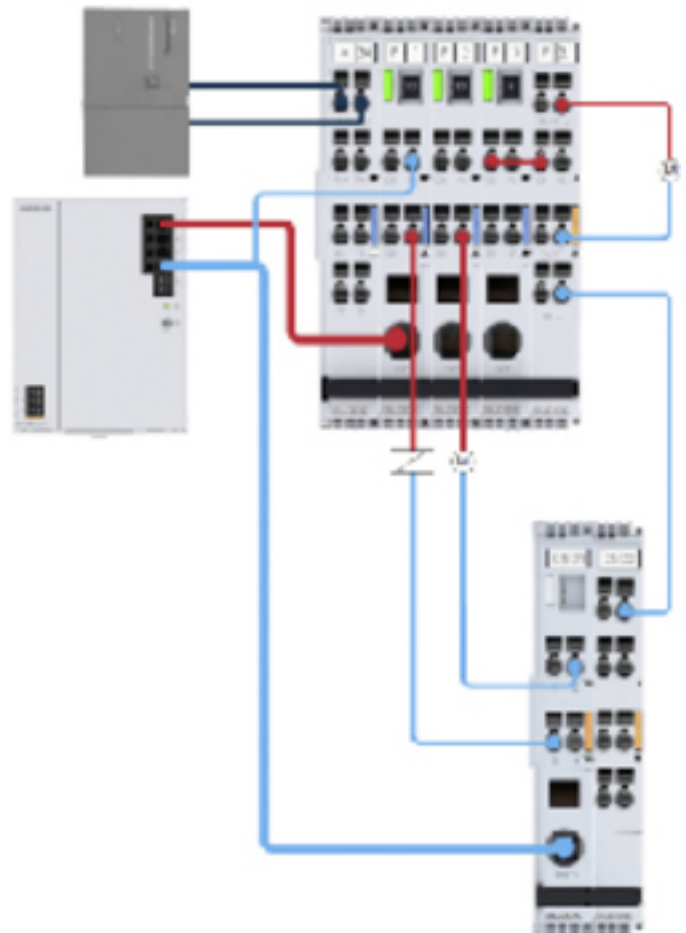
Use for tripping currents up to 6 A

All functions of the circuit breaker (communication, characteristics) can be used continuously.

Applications

The product EB-PT2-0 enhances the EasyB product series to include double-pole galvanic potential separation. EB-PT2-0 is added to the right side of an EasyB circuit breaker with single-channel signal contact (version -4). The current flow is stopped by the load output transistor in the circuit breaker in the event of an overload or short circuit. Mechanical switching elements also open the circuit in EB-PT2-0 using a double-pole galvanic switch.

Sample application



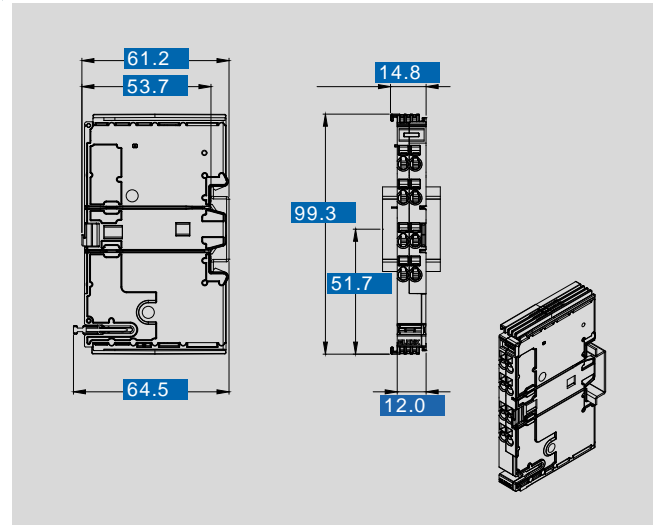
Approvals



2-pole physical isolation EB-PT2-0

Type		EB-PT2-0
Electrical data	Input	
	Input rated voltage	24 Vdc
	Input voltage range	18 – 30 Vdc
	Max. total input current	6 A
	Control level	>15 V - ON; < 10 V - OFF
	Current consumption control input	0.15 mA @ 24 Vdc
	Output	
	Output rated voltage	24 Vdc
	Maximum voltage drop between input and output	273 mV
	Resistance to reverse feed max.	35 Vdc
Environment		
Ambient temperature	-25 °C to +70 °C	
Type of cooling	Natural convection	
Required minimum spacing (over/under)	30 mm	
Safety and protection		
Protection index	IP 20	
Safety class		
Degree of pollution	2	
Order numbers		
Order Number	EB-PT2-0	

Type		EB-PT2-0
Mechanical data	Terminal and mounting	
	24 V Output terminals	"OUT +" 2 x 0.08 – 2.5 mm ²
	0 V Output terminal	"OUT -" 2 x 0.08 – 2.5 mm ²
	0 V Input terminal	"IN -" 2 x 0.08 – 2.5 mm ²
	Terminals Control input	"OK" 2 x 0.08 – 2.5 mm ²
	Mounting position	horizontal for standard rail DIN TS35
	Measures and weights	
	Depth	60.0 mm
	Weight	59.0 g



Subject to change.