

Three-phase, non stabilized DC power supply **DNC 24-10**



Picture shows DNC 24-10

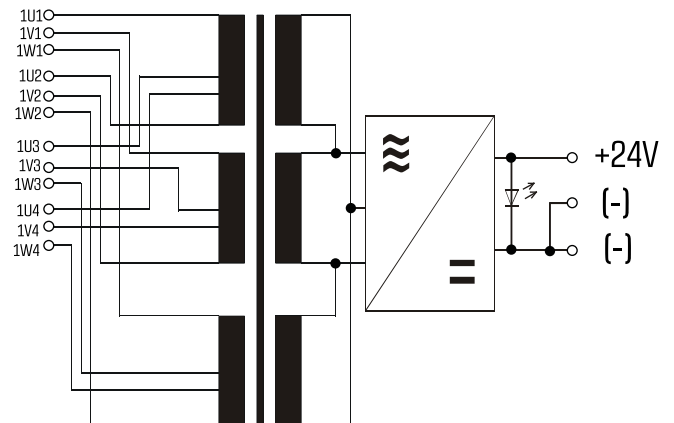
Advantages

Unsusceptible to voltage surges or transients
High overload capacity
DC OK signalling via LEDs
Capacitor switching at the output
Very good corrosion protection and low noise thanks to vacuum impregnation
Impulse loading MKT-capacitors
Varistor wiring
Contact protected screw connection terminals complying with UVV BGV A3

Applications

Robust DC power supply for harsh industrial applications.

Sample application



Standards

Non-stabilised dc power supply / Safety isolating transformer to VDE 0570 part 2-6, EN 61558-2-6, IEC 61558-2-6, UL 1012

Approvals



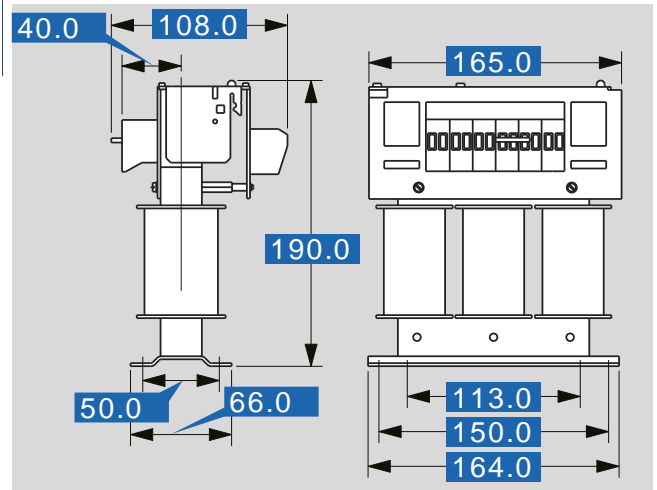
UL 5085-1/-2, CSA 22.2 No.66



Three-phase, non stabilized DC power supply DNC 24-10

Type		DNC 24-10
Electrical data	Input	Delta-connection: 3x219 Vac/230 Vac/241 Vac Star-connection: 3x380 Vac/400 Vac/420 Vac
	Input rated voltage	50 - 60 Hz
	Rated frequency	
	Output	
	Output rated voltage	24 Vdc
	Power	240.00 W
	Output rated current	10.00 A
	Ripple factor	typ. 2 %
	Approvals	cURus (transformer only)
	Environment	
Ambient temperature max.	+60 °C	
Type of cooling	self-cooling	
Safety and protection		
Type	Open type	
Insulation class	VDE=B, UL=class 130	
Protection index	IP 00	
Safety class (prepared)	I	
Short circuit strength	non-short-circuit proof	
Order numbers		
Order Number	DNC 24-10	

Type		DNC 24-10
Mechanical data	Terminal and mounting	
	Terminals	Screw-type terminals
	Fixing method	Base plate
	Fixing screws	M5
	Measures and weights	
	Weight	4.30 kg



Subject to change.